

Aluminum

ROPP cap

MASC cap

Production line

铝旋盖 (ROPP)

塑料防盗环铝旋盖

(MASC) 生产线



SACMI

ENDLESS INNOVATION SINCE 1919

Ropp caps

铝旋盖 (ROPP)

Roll On Pilfer Proof Caps

铝制旋开式防盗瓶盖(ROPP)

SACMI SKILLS AND COMPETENCE

萨克米专业领域和竞争优势

Aluminum caps are used to close glass bottles filled with mineral and natural waters, non-alcoholic and alcoholic beverages, pharmaceutical and technical contents or juices.

铝盖应用于玻璃容器，适用于包括矿泉水、天然水、非酒精及酒精类饮料、保健品及果汁类产品。

SACMI machines are engineered to produce ROPP (roll-on pilfer proof) caps and RO that are cost-effective, provide an effective seal (and barrier), are compatible with contents, easily opened by the consumer, are often reclosable and comply with product, packaging and environmental laws and regulations.

萨克米铝旋盖生产设备适用于生产ROPP和RO铝盖，除高效和高产的优点之外，其密封性能优越，与容器匹配完美，易开易旋，并遵守与产品、包装、环境相关的法律和规章制度。

ROPP: Roll on pilfer proof

RO: Roll on

ROPP: 铝制旋开式防盗瓶盖

RO: 铝制旋开式瓶盖

VERSATILITY

they fit glass/PET necks, for both returnable and non-returnable bottles

PERFORMANCE

PVC-free liner provides optimum sealing

ALUMINUM

does not rust, and can be recycled forever

SUSTAINABILITY

TE band remains with the closure after opening, favouring bottle re-use

USER FRIENDLINESS

easy and safe opening and re-sealing

多样

适用于玻璃/PET容器, 包括可回收及不可回收容器

性能

采用非PVC-内垫以利于瓶盖密封

铝制

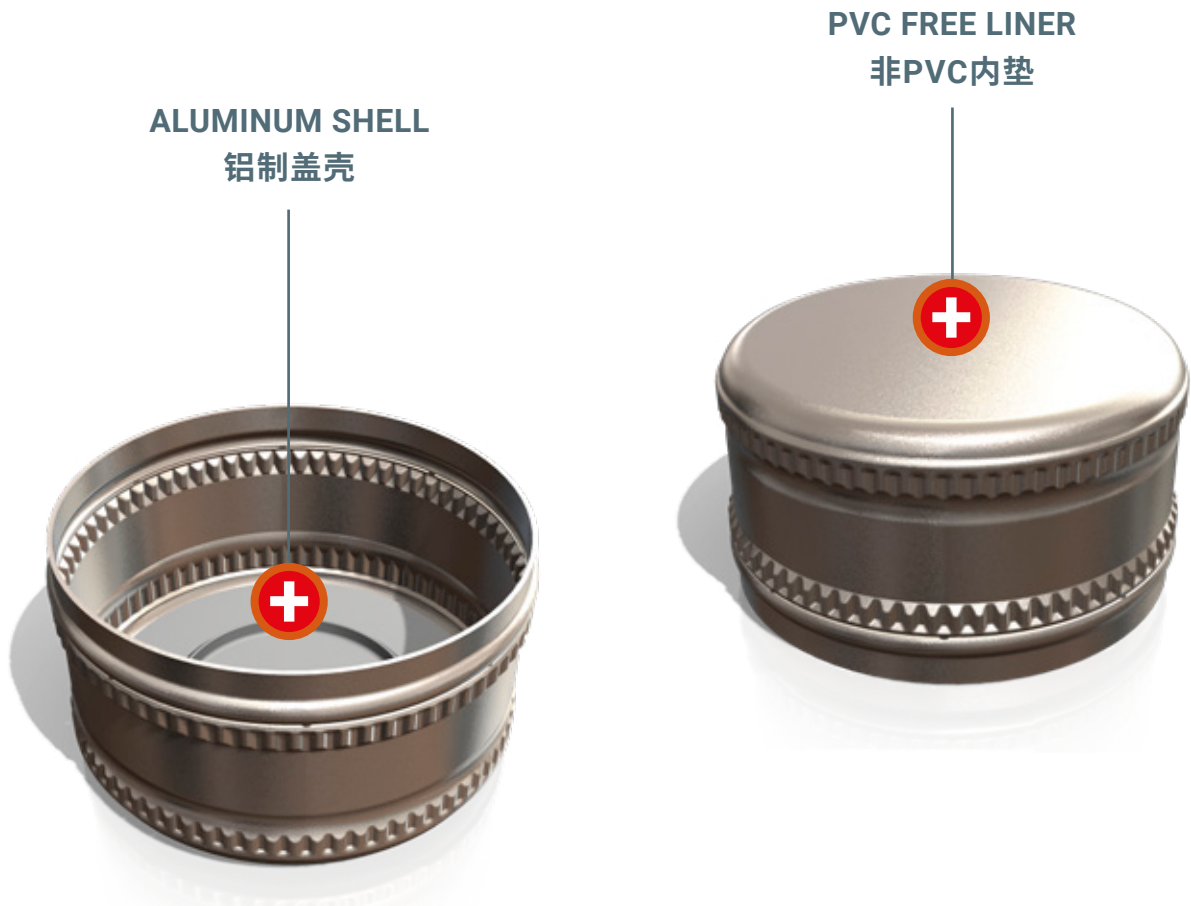
不易生锈, 可回收再利用

可持续性

瓶盖开启后防盗环与瓶盖相连, 易于容器再次使用

简单易开

易开易旋, 安全密封



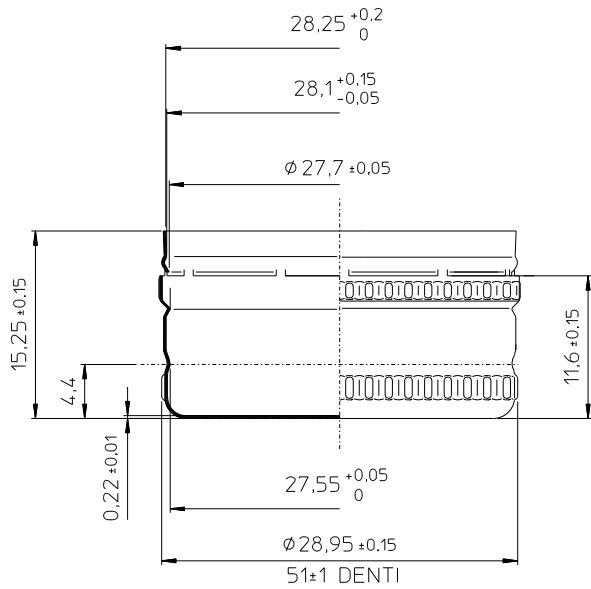
DIFFERENT PRODUCT STANDARDS

Roll-on pilfer proof cap with anti-tamper band and liner. Suitable for water, beer, wine, soft drinks and energy drinks.

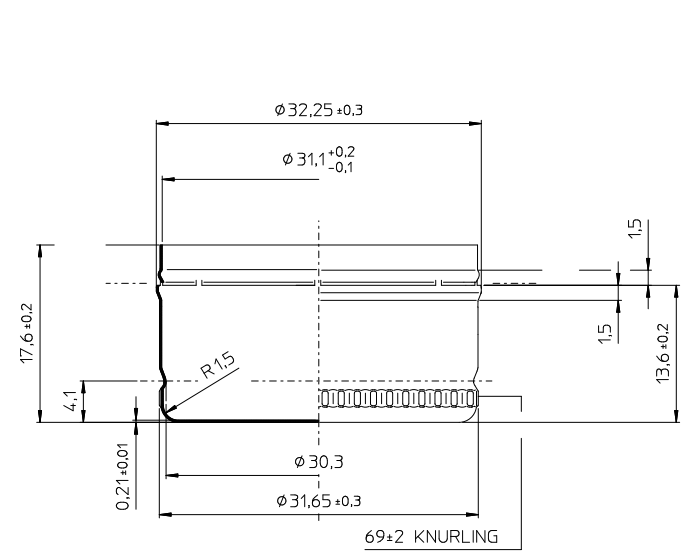
盖型分类

铝制旋开式防盗瓶盖(含内垫及防盗环)适用于水、啤酒、葡萄酒、软饮及功能性饮料产品。

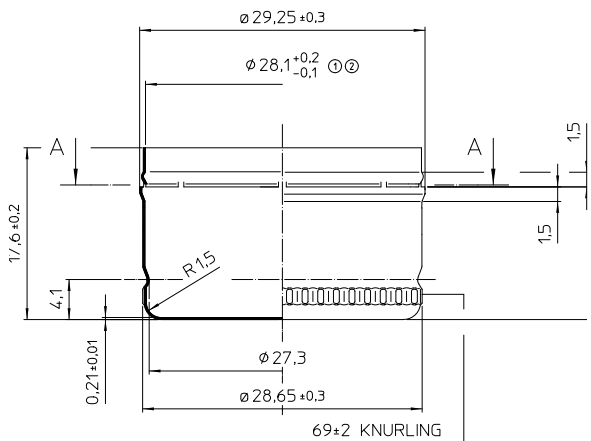
28X15.5 MM



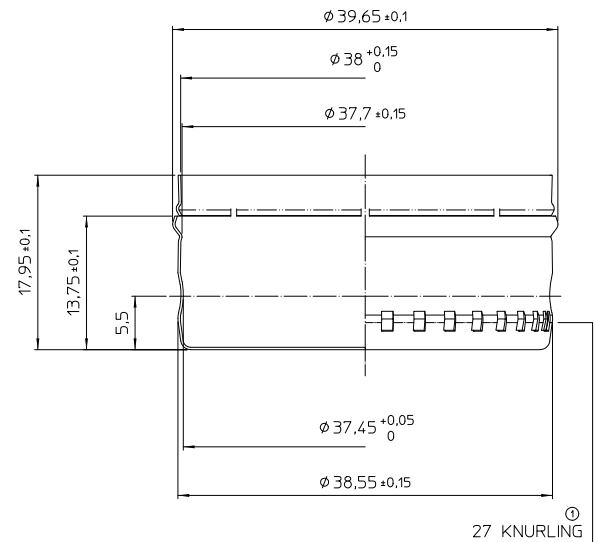
31.5X18 MM



28X18 MM



38X18 MM



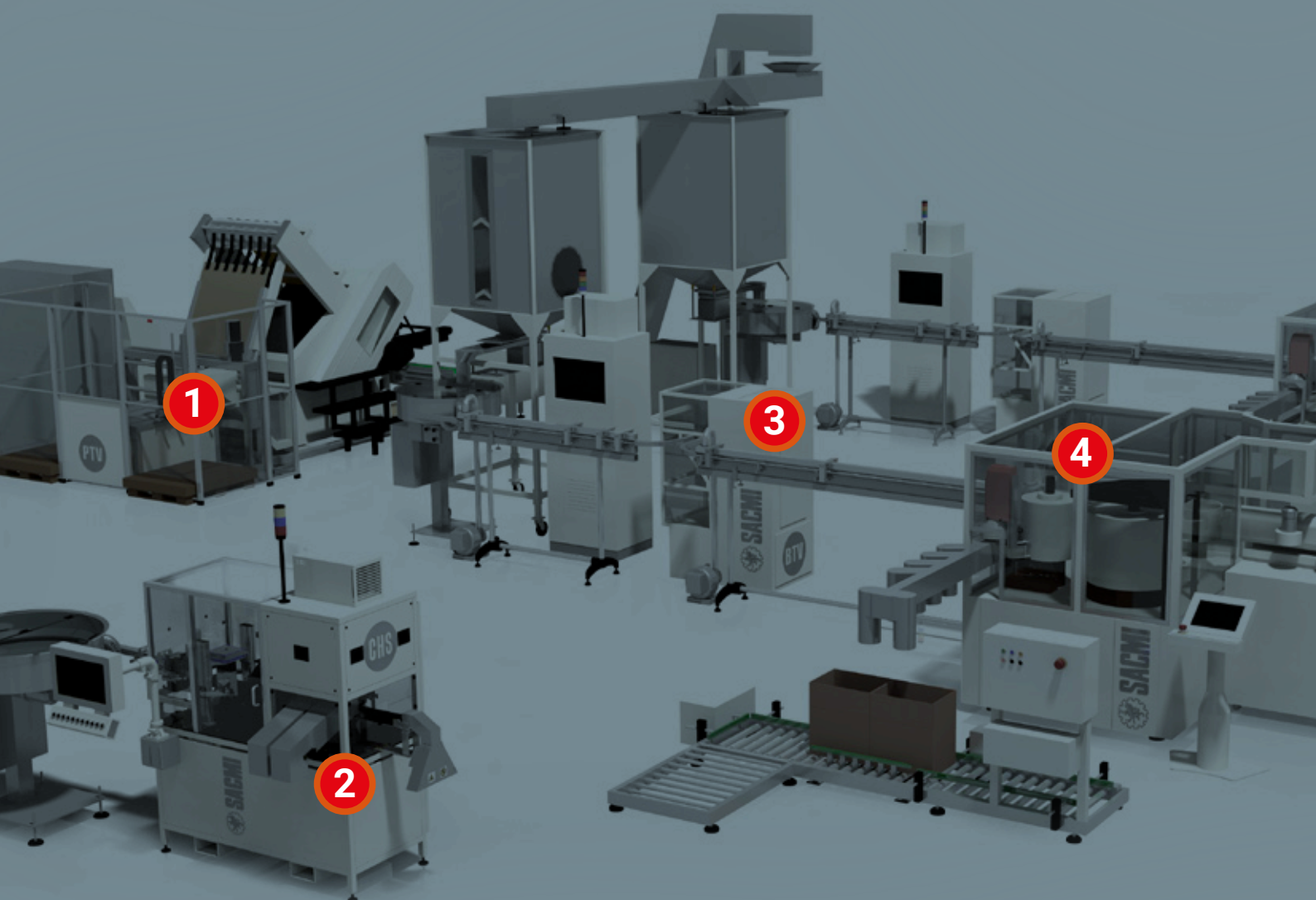


Aluminum ropp cap production line*

UP TO 2,500 PCS/MIN

铝旋盖生产线

产量高达每分钟2,500个瓶盖



1. PTV 119:
Aluminum cap press

2. CHS 200:
An inspection and sorting machine for short aluminium caps

3. BTV 900:
Aluminum cap knurling machine

4. INSPECTION SYSTEM CVS 3000:
Easy, intuitive, reliable, net workable

5. PMV 136:
In-shell lining machines for aluminum caps

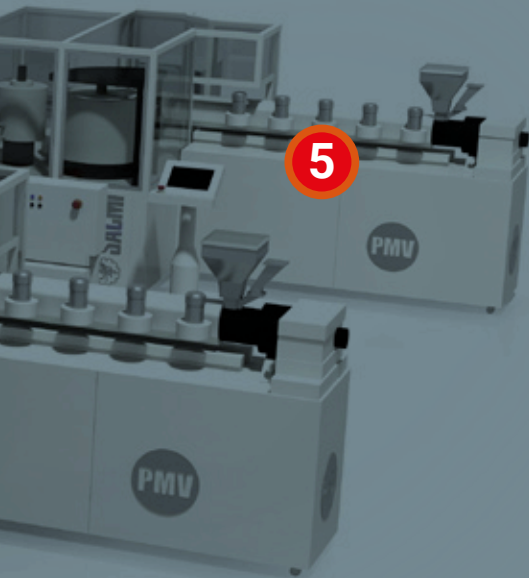
1. PTV 119:
铝盖冲压设备

2. CHS 200:
视像检测设备用于铝制矮盖

3. BTV 900:
铝盖滚花切环设备

4. CVS 3000视像检测系统:
精准、高效、可靠、灵活

5. PMV 136:
铝盖壳内加垫设备



	PTV 119	BTV 900	PMV 136
Elec. power average absorbed - kW 平均吸收功率 - kW	12	4,5	24
Machine total weight - kg 设备总重量 - kg	12000	600	6700
Number of dies 模具数量	19	9	36

* The same production line is suitable for RO caps

* 相同配置亦适用于生产RO瓶盖。

Masc caps

Multicomponent Aluminum
SACMI Caps

MULTIMATERIAL SOLUTIONS

Aluminum screw caps are used to close glass bottles containing mineral and natural waters, non-alcoholic and alcoholic beverages, pharmaceutical and technical contents or juices. They maximize protection for both the product and the consumer. A plastic tamper evidence band ensures "original product" security and allows trouble-free opening and reclosing; this special-format cap also ensures easier, safer handling. From a manufacturing view, production processes are smooth and efficient.

塑料防盗 环铝旋盖 (MASC)

塑料防盗环铝旋盖(MASC)

复合材料铝旋盖解决方案

铝旋盖应用于玻璃容器,适用于包括矿泉水、天然水、非酒精及酒精类饮料、保健品及果汁类产品。采用塑料防盗环为产品口感提供切实保障。其独特盖型安全可靠,易开易旋。从制造商角度出发,生产加工高效灵活,瓶盖表现优异,为当今市场提供全新包装解决方案。

TAMPER-EVIDENT SECURITY

- The plastic tamper-evident band separates into 3 parts on opening
- Tamper-evident band stays attached to closure after opening
- Injury-free

A PERFECT SEAL

- Excellent sealing performance thanks to PVC-free liner
- Easy, safe opening and re-sealing thanks to smooth aluminum closure edge
- Ideal for both returnable and non-returnable bottles

ENGINEERED FOR QUALITY

- Bottle is extremely easy to carry, open and re-seal
- Excellent removal torque consistency

PREMIUM SOLUTION FOR YOUR MARKET

- Unmatched standards in terms of practicality, process and consumer convenience

塑料防盗环

- 瓶盖开启时, 塑料防盗环断裂为三个部分
- 瓶盖开启后, 塑料防盗环与瓶盖仍然相连
- 安全保障

完美密封

- 采用非PVC内垫, 密封性能卓越
- 光滑的铝盖边缘使瓶盖易于开启和再次密封
- 适用于可回收和不可回收容器

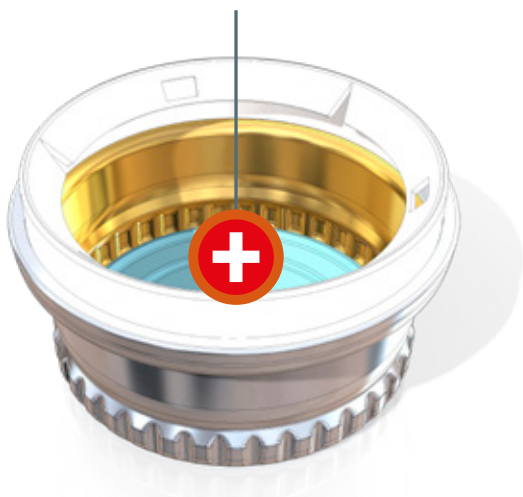
质量保障

- 易于开启和再次密封
- 保持开启扭矩一致

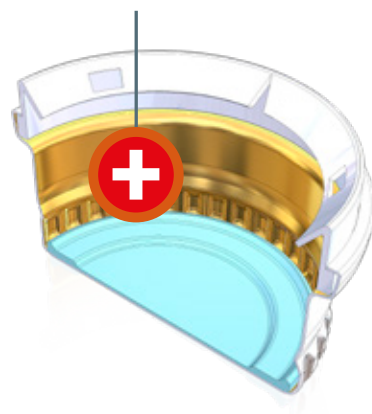
为市场提供个性化解决方案

- 在实用性、生产加工和消费者便利性方面达到无与伦比的标准

PVC FREE LINER
非PVC内垫



ALUMINUM SHELL
铝制盖壳



Making bottles quick, easy and convenient to carry, open and reseal, screw caps with plastic te band caps ensure consistent removal torques while allowing for multicolor printing. The resulting high-quality appearance enhances both brand image and turnover, with in-the-cap printing making the aluminum closure ideal for promotional campaigns.

TAMPER EVIDENCE SECURITY

- Plastic tamper evidence band separates into 3 segments on opening
- Tamper evidence band remains with the closure after opening

PERFECT SEALING PERFORMANCE

- PVC-free liner provides optimum sealing performance
- Smooth aluminum closure edge for easy and safe opening and resealing

PRODUCT SPECIFICATIONS

- 28 mm aluminum roll-on closure, with plastic tamper evidence band
- Fits glass neck finishes / PET necks
- For returnable and non-returnable bottles
- For cold and hot-fill, pasteurized and carbonated beverages
- Can be applied using standard roll-on application machinery

瓶盖性能优异,易于开启和再次完美密封。铝旋盖采用塑料防盗环确保瓶盖开启扭矩在界定和可控范围之内。塑料防盗环更可提供多色选择。高质量的外观可有效加强品牌形象以及产量增长。同时盖内涂印技术更使得铝盖有力助推市场营销活动。

盖型分类

- 瓶盖开启时,塑料防盗环断裂为三个部分
- 瓶盖开启后,塑料防盗环与瓶盖仍然相连

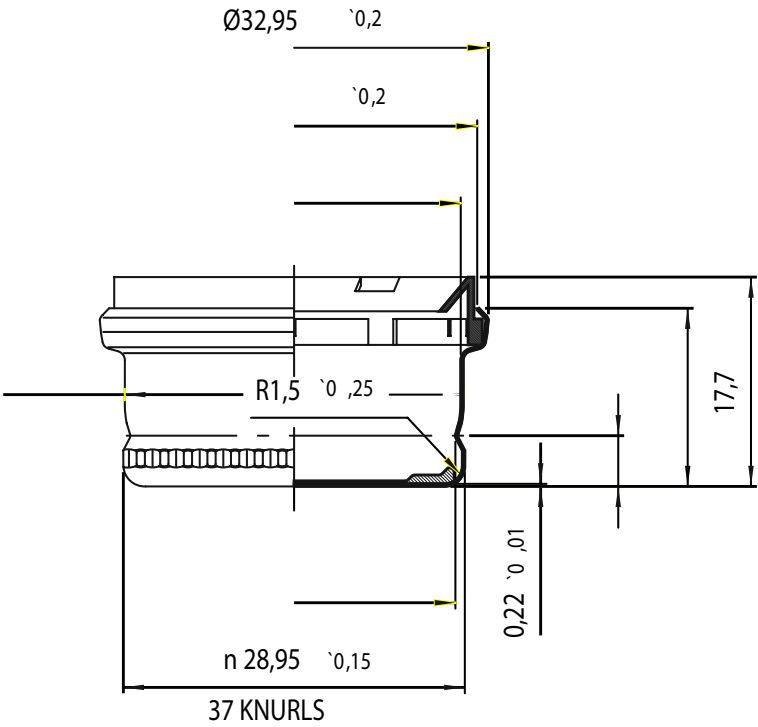
完美密封性能

- 非PVC内垫使密封性能发挥到最大
- 铝盖边缘光洁平滑,开启时安全,也有利于再次密封。

设备特点

- 28 mm塑料防盗环铝旋盖
- 适用于玻璃/ PET瓶口
- 适用于可回收和不可回收容器
- 适用于冷灌装、热灌装、巴氏杀菌和碳酸饮料
- 适用于标准旋开铝盖设备

28,7X17,5 MM

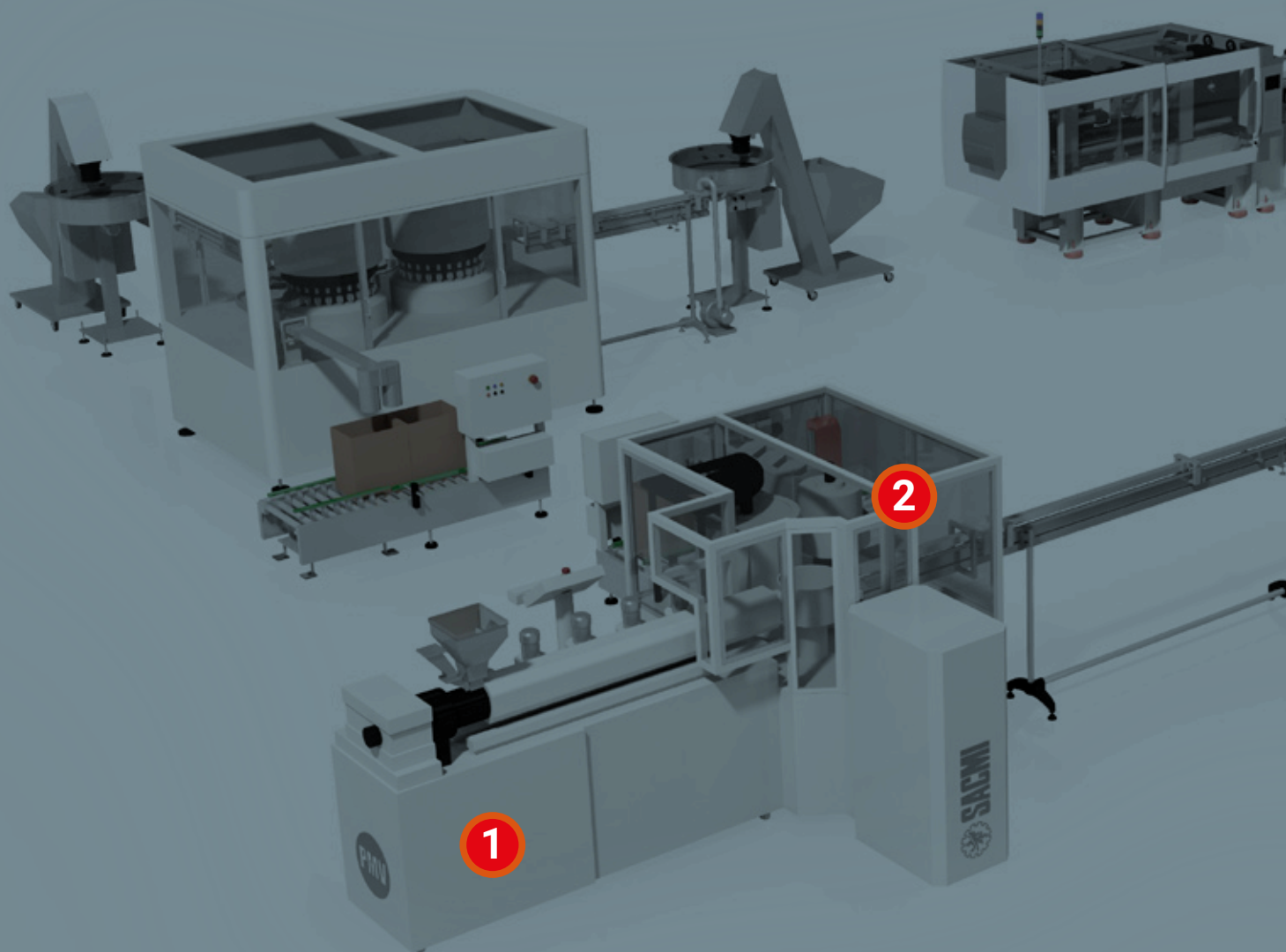


MASC cap production line

UP TO 1,200 PCS/MIN

塑料防盗环铝旋盖(MASC) 生产线

产量高达每分钟1,200个瓶盖



1. PMV 136:

In-shell lining machines for aluminum caps

2. INSPECTION SYSTEM CVS 3000:

Easy, intuitive, reliable, net workable

3. BTV 900:

Aluminum cap knurling machine

4. PTV 119:

Aluminum cap press

5. CHS 200:

An inspection and sorting machine for short aluminium caps

1. PMV 136:

铝盖壳内加垫设备

2. CVS 3000 视像检测系统:

精准、高效、可靠、灵活

3. BTV 900:

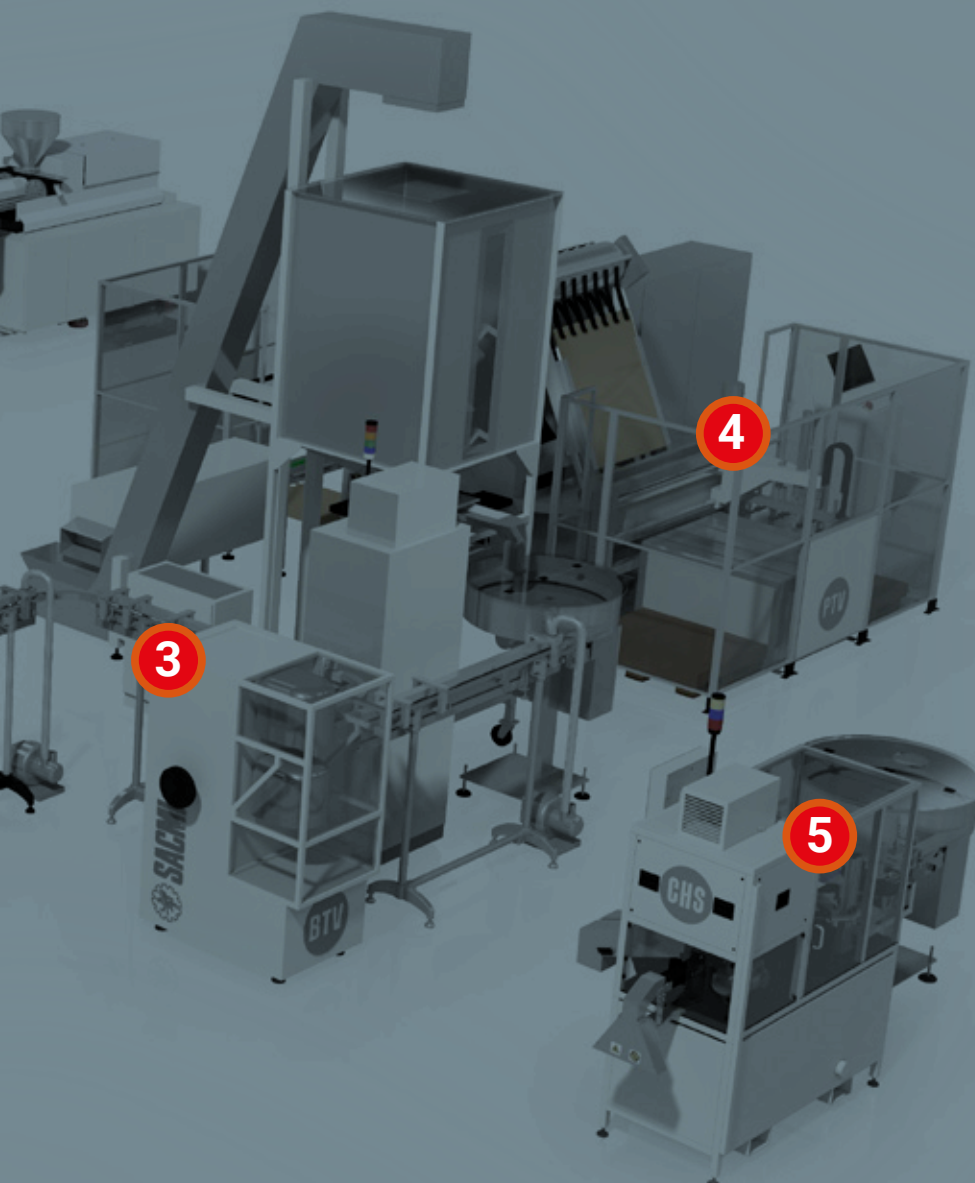
铝盖滚花切环设备

4. PTV 119:

铝盖冲床设备

5. CHS 200:

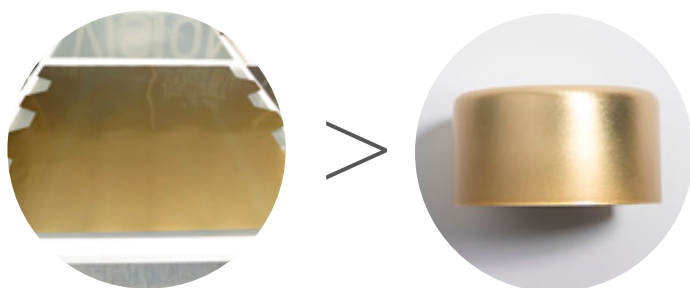
视像检测设备用于铝制矮盖



PTV 119

PRESS FOR
ALLUMINUM CAPS

铝盖冲床设备



Double-action mechanical press for the manufacture of alu-caps, suitable for use with multi-punch die.

The production process consists of picking the sheets, blanking them and moulding the caps. Press for the manufacture of alu-caps using pre-painted sheets.

The machine is a more advanced version of the PTV019 currently in production.

- Solutions that improve product quality and workplace health (thanks to a sheet metal feed system that is independent from the press, noise and vibration have been cut to below 3.5 dB)
- Guaranteed decoration alignment thanks to

双头机械冲床适用于使用多头冲模来生产铝盖。

加工过程包括提取金属板料、压紧板料并按要求冲压成所需的瓶盖形状。铝盖生产采用预涂层板材。

PTV119是现有冲床PTV019的升级版。

- 改善产品质量和优化生产环境的解决方案(由于采用了冲床独立的金属板材进料系统,噪音和振动已降低到3.5分贝以下)
- 可与CVS 3000视像检测设备连线,为产品质



integration with the CVS 3000 inspection system and the electronically controlled sheet feed system

- The press and sheet loading system are completely separated, preventing transfer of residual vibration from the press to the load system
- Flywheel contained inside the main machine structure, guaranteeing reduced overall dimensions
- Low positioning of main shaft to ensure a centre of gravity as close as possible to the ground
- High-rigidity structure designed to reduce vibration

量保驾护航

- 冲床和板材给料系统完全分离,防止冲床部分的振动影响给料系统
- 飞轮位于主机框架内,减少设备总体尺寸
- 主轴位置低,确保重心尽可能靠近地面
- 高刚性结构设计减少设备振动

- Easy access to the upper and inner area for easier maintenance

- 工人易于进入设备的上部和内部,方便维修

THE KEY CHARACTERISTICS OF THE MACHINE ARE MAINTENANCE OF CURRENT OUTPUT RATES WITH THE CVS:

与CVS视像检测设备连线、稳定保持现有产量,主要特点:

- Pallets can be positioned with ease
- Sheet positioning adjustment can be performed in automatic mode. The CVS3000 is available (optional) to perform this adjustment in feedback loop mode
- Electronically controlled sheet feed
- Safety guards with improved access and ergonomics
- Mould compatible with current one

- 托盘定位更方便
- 全自动调节铝板并精确定位。CVS3000(备选件)在反馈回路模式下执行此调整
- 铝板进板通过电气控制
- 安全护栏,符合人体工程学
- 与现有模具完美兼容

STT027B MOULD

STT027B模具

Functional improvements: ejector movements warranted by a mechanical limit

功能改进:剔除运动由机械限位调控

Improvements for the reduction of the wear:

减少磨损:

- Moulding die area modified with a new coupling steel/sintetic bushing
- Improved forming punch nod guide system bushes

- 模切区采用新型连接钢或合成衬套
- 改进成型冲头导向系统衬套

Interchangeability of tool parts:

- Punch with cutting carbide
- Shearing matrix carbide
- Forming matrix
- Press-sheet
- Column's guides
- Ball cages

Improvements for maintenance interventions.

Forming punch rods: the whole group can be easily dismounted from the top.

工具零件互换性:

- 碳合金切料
- 矩阵硬质合金修剪
- 成型矩阵
- 冲板
- 导柱
- 滚珠轴承罩

改进维修保养方式。成型冲头杆:整个组可以很容易地从顶部展开。

TECHNICAL FEATURES**技术参数**

PTV 119 - 150 STROKES / MINUTE MAX (*) PTV 119冲床设备最大效率为每分钟150冲程(*)				
Cap Dimension (mm) 瓶盖尺寸(毫米)	28x15	28x18	38x18	Masc Cap 瓶盖 Tapón MASC
Blank Diameter (mm) 盖坯直径(毫米)	51	53,8	66	52,9
Tools 模具数	19	19	15	19

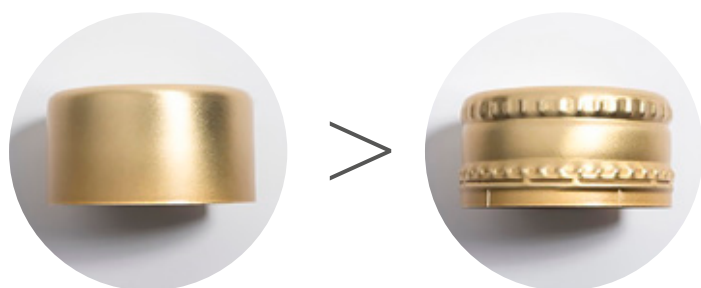
(*) Max mechanical speed, but may vary depending on format

(*) 最大机械速度, 根据不同盖型而定

BTV 900

ALUMINUM CAP
KNURLING MACHINE
FOR ALUMINUM CAPS

铝盖滚花切环设备



Machine with vertical turret to slit the tamper evident band and knurl the aluminum cap edges. The BTV900 consists of 9 rotary heads which "by working against fixed tools" knurl and horizontally/vertically slit the cap as per requested specifications.

The machine integrates smoothly with the rest of the line in terms of both output capacity and automation.

BTV900适用于切割铝盖防盗环以及压制滚花，配有9个旋转头搭配固定模具来根据盖型要求切割滚花和防盗环。

铝盖滚花切环设备与现有生产线完美兼容，全自动运行，确保产量。



TECHNICAL FEATURES

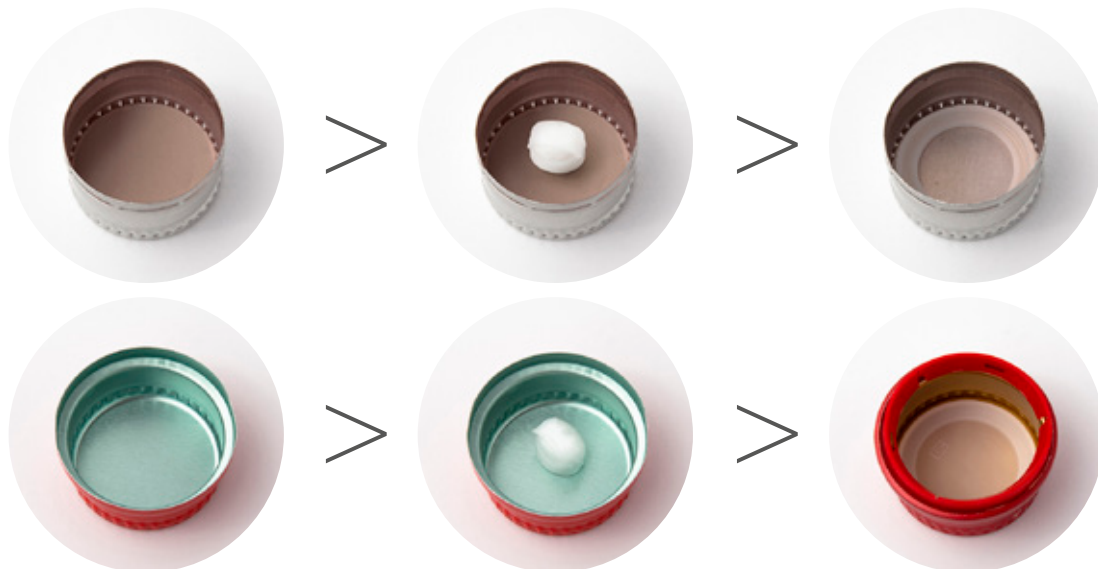
技术参数

Version 版本	Knurling 滚花
Cap dial - mm 瓶盖直径—毫米	26-43
N. of dies 模具数量	9
Max prod. capacity pcs/min 最大生产效率(个/每分钟)	1300
Elec. power average absorbed - kW (50 hz) 平均吸收电功率—千瓦(50赫兹)	4,5
Compressed air consump. 0.55 MPa - NI/min 压缩空气量 0.55Mpa—NI/分钟	9000
Dimension mm 设备面积尺寸 - 毫米	1000x1000
Weight kg 重量 - 千克	600

PMV 136

IN-SHELL LINING
MACHINES FOR ROPP
AND MASC CAPS

ROPP铝旋盖和MASC塑料
防盗环铝旋盖的壳内加垫
设备



Automatic lining machines designed to extrude pellet-form material (e.g. PVC-free, PE, EVA), cut it into single doses, insert them into aluminum screw caps and mould the liner according to a clearly defined profile. Machine productivity is strongly influenced by the material type and the weight and profile of the liner. In-shell casting technology allows liners to be shaped to maximise closure performance and minimise the weight of the used compound. The machine is equipped with cap outfeed conveyor belt predisposed for the installation of a CVS3000 vision system.

全自动加垫设备适用于热塑材料（如非PVC料，PE料和EVA），通过将熔融后挤出的原料切割成单个球状粒料，并投入盖壳后最终模压成型。设备产能与所使用的原料、内垫重量以及形状密切相关。

壳内加垫工艺使瓶盖发挥最大性能，并有效减轻瓶盖的重量。

设备的瓶盖出口传送皮带上预留位置，用于CVS3000视像检测系统的安装。



TECHNICAL FEATURES

技术参数

Version 版本	Inshell 壳内
Cap dial - mm 瓶盖直径—毫米	26-33
N. of punches 模具数量	36
Max prod. capacity pcs/min 最大生产效率(个/每分钟)	1600
Elec. power average absorbed - kW (50 hz) 平均吸收电功率—千瓦(50赫兹)	24
Compressed air consump. 0.55 MPa - NI/min 压缩空气量 0.55Mpa—NI/分钟	900
Dimension mm 设备面积尺寸 - 毫米	4000x4000
Weight kg 重量 - 千克	6700

THE MACHINE IS EQUIPPED WITH:

- Extruder with 45 mm screw, equipped with inverter-controlled AC motor to feed the molten material. Screw temperature and rpm are managed by the control system
- Molten material by-pass valve to clean the extruder, to start and stop the machine
- Low frequency magnetic induction unit to heat the caps, equipped with cooling system
- Cooling system which allows independent temperature control of moulds and accessories
- CVS3000 vision system to control quality of the liner
- Optional additional camera to check the decoration
- Pneumatically operated faulty cap reject device
- Outgoing cap counter with flow diverter for boxing
- Operator interface via PC

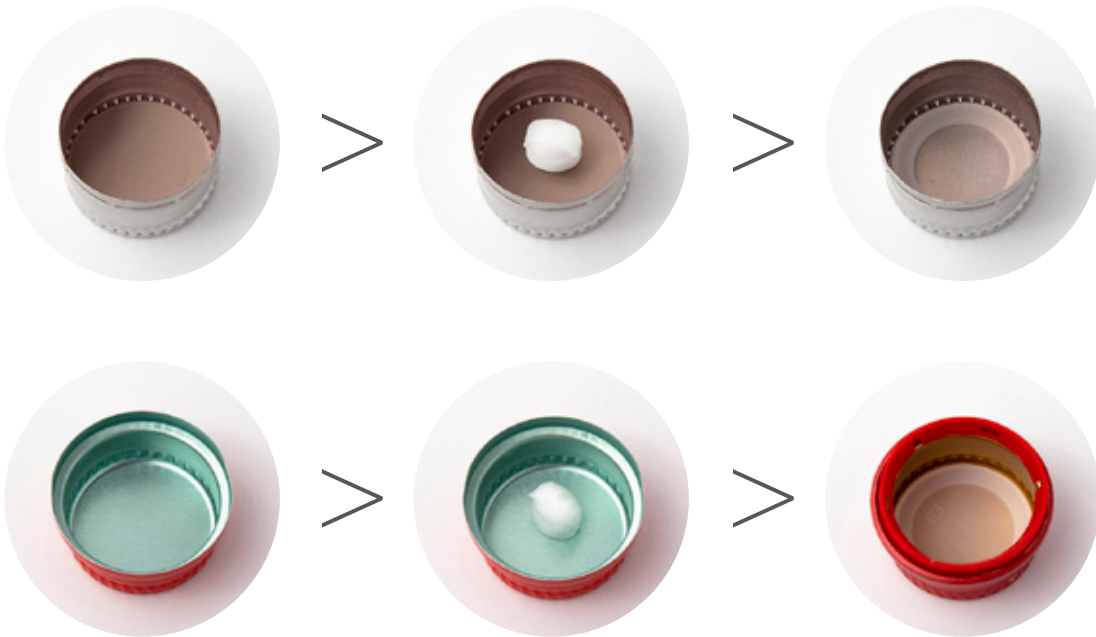
设备包括:

- 挤出机配有45毫米直径螺杆, AC马达和变频器控制, 适用于进料。温控和螺杆数量由控制系统控制
- 熔料旁路阀适用于清洗挤出机, 可以在设备开启和停止时启动
- 低频磁性感应装置用于加热瓶盖, 配有冷却系统
- 冷却系统可以独立控制模温和辅件温度
- 视像检测系统管理CVS3000内垫质量
- 备选视像检测控制系统检测平面印刷质量
- 剔除装置气动剔除瓶盖次品
- 带分流器的出盖计数器用于装箱
- PC操作界面

PMV 120

ALU-CAP LINING
MACHINE

铝盖加垫设备



Automatic lining machine suitable for extruding (PVC-free) pellet material, cutting the material into individual doses, inserting the dose inside the aluminium screw cap and moulding the liner according to a specifically designed profile. Machine productivity is strongly influenced by the type of material used, the weight and the profile of the liner.

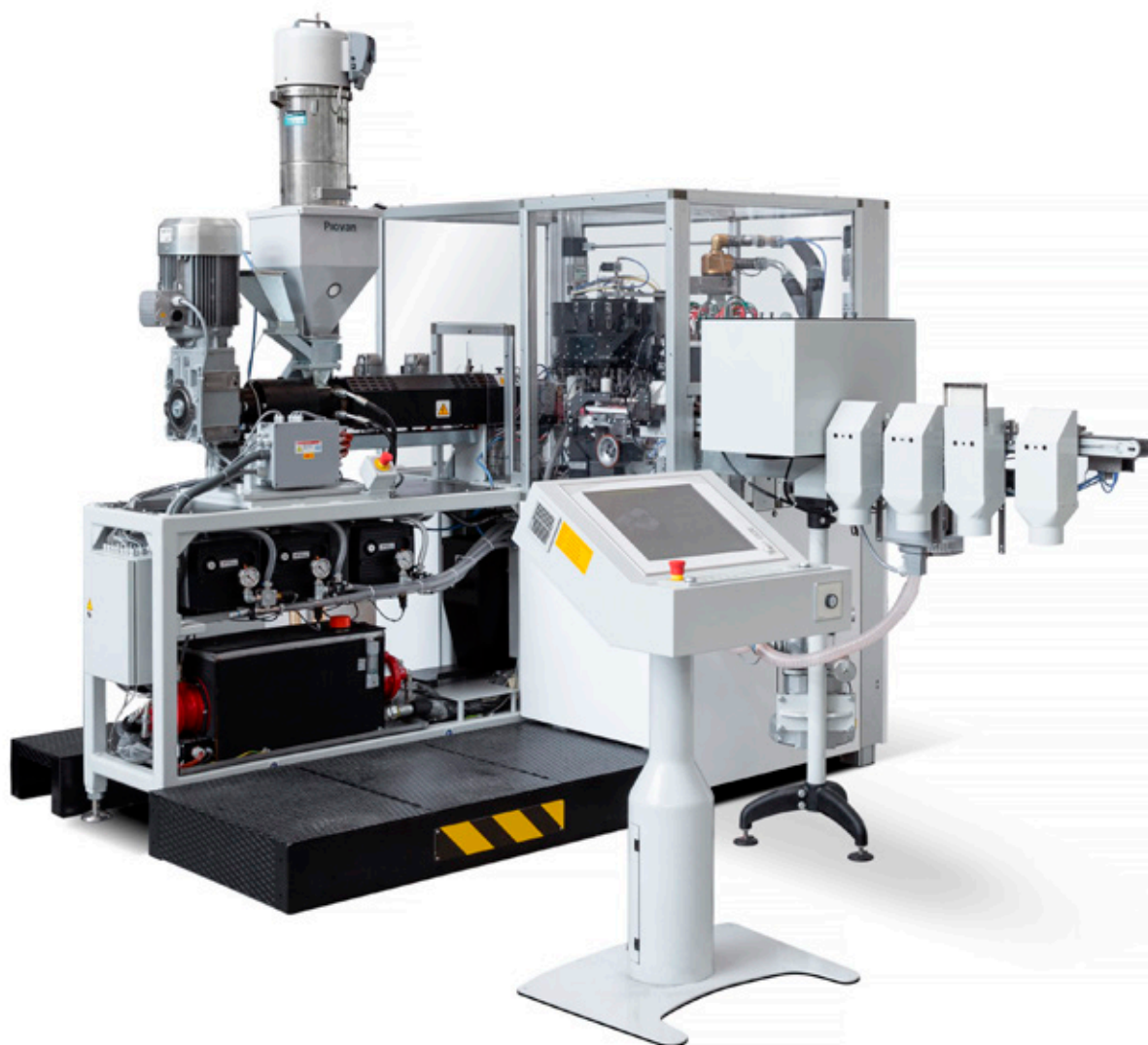
全自动加垫设备适用于热塑材料(如非PVC料, PE料和EVA), 通过将熔融后挤出的原料切割成单个球状粒料, 并投入盖壳后最终模压成型。设备产能与所使用的原料、内垫重量以及形状密切相关。

THE MACHINE IS EQUIPPED WITH:

- Extruder with 35 mm screw, equipped with inverter-controlled AC motor to feed the molten material. Screw temperature and rpm are managed by the control system
- Molten material by-pass valve to clean the extruder, to start and stop the machine
- Low frequency magnetic induction unit to heat the caps, equipped with cooling system
- Cooling system which allows independent temperature control of moulds and accessories
- CVS3000 vision system control quality of the liner
- Optional additional camera to check the lithography
- Cap outfeed conveyor belt predisposed for the installation of a CVS3000 vision system
- Pneumatically operated faulty cap reject device
- Outgoing cap counter with flow diverter for boxing
- Automation and Beckhoff control system
- Operator interface via PC

设备包括:

- 挤出机配有35毫米直径螺杆, AC马达和变频器控制, 适用于进料。温控和螺杆数量由控制系统控制
- 熔料旁路阀适用于清洗挤出机, 可以在设备开启和停止时启动
- 低频磁性感应装置用于加热瓶盖, 配有冷却系统
- 冷却系统可以独立控制模温和辅件温度
- 视像检测系统管理CVS3000内垫质量
- 备选视像检测控制系统检测平面印刷质量
- 设备的瓶盖出口传送皮带上预留位置, 用于CVS3000视像检测系统的安装
- 剔除装置气动剔除瓶盖次品
- 带分流器的出盖计数器用于装箱
- Beckhoff 自动控制系统
- PC操作界面



TECHNICAL FEATURES

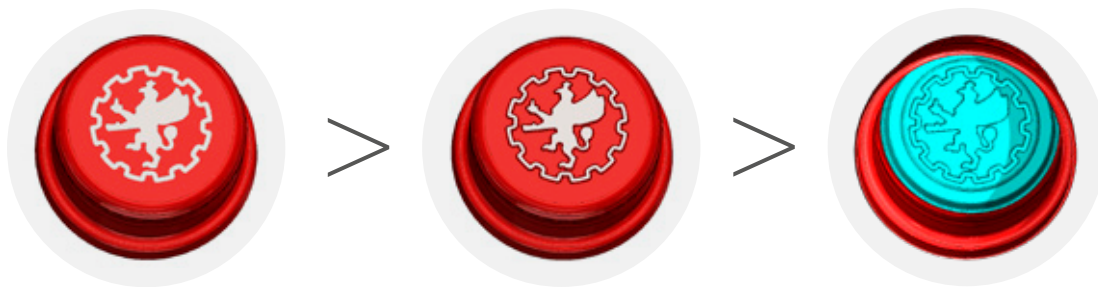
技术参数

Cap diameter 瓶盖直径	26-38
Cap height 瓶盖高度	15-24
Cap material 瓶盖材料	Aluminium 铝质
Requested output rate 需求生产率	Up to 1000 caps 最快1000个瓶盖
N° of punches 冲头数量	20
Type of plastic to be processed 待加工的塑料类型	PVC - free 非PVC
Maximum PVC-free liner weight 非PVC内垫最大重量	0.3g
Cap interior quality control type (optional) 瓶盖内部质量控制(备选)	Video camera (CVS) 视像检测(CVS)
Cap outer quality control type (optional) 瓶盖外部质量控制(备选)	Video camera (CVS) 视像检测(CVS)

CCD

ALUMINUM CAPS
BECOME 3D

铝盖压花设备



CCD 120 has been designed and engineered specifically for the embossing of the central panel. The surface of ROPP or multmaterial aluminum caps can be personalised in offset mode with a logo or text, the relief print being synchronised with the decoration: the obtained surface offers a new tactile sensation, maintaining the same performance and visual characteristics as the standard caps.

Embossing protects product originality, reducing the chances of counterfeiting. It's also possible to customise the cap without lithography, with a considerable reduction in costs. This feature allows the item to be "embellished" with the trademark, thus minimising risk of falsification.

铝盖压花设备 CCD 120 用于在皇冠盖盖壳顶部位置压花成形。瓶盖顶部表面可自定义压花，如公司 LOGO 或各类文本，其压花部分与瓶盖印刷图案完全匹配，为瓶盖表面提供全新感官体验，同时保持与标准瓶盖相同的性能和视觉特性。

瓶盖压花有利于保护品牌原创性和商标特征，杜绝假冒。瓶盖生产时也可以设置为无印刷压花，从而大幅降低成本。



The CCD 120 provides outstanding performance, can handle up to 1200 pieces per minute and synchronises embossing with the decoration already on the outside of the cap. SACMI's innovative CCD 120 cap embossing solution can handle both ononymous and decorated caps, ensuring perfect synchronism between embossing and decoration.

The CCD120 is available in two versions:

- Without embossing timing with respect to the corresponding lithographic print
- With CVS3000 Vision System, enabling embossing phase adjustment with respect to its corresponding lithographic print

CCD FEATURES

THE MACHINE IS EQUIPPED WITH:

- Hopper with rotating cap feeder and relative orientation system
- Mechanical moulding tools capable of rotating autonomously by means of servomotors
- Exit channel
- PC operator interface

萨克米铝盖压花设备CCD 120,其性能表现卓越。根据客户不同需要,若瓶盖压花应与印刷图案匹配,其产能为每分钟1200个瓶盖。萨克米铝盖压花设备CCD 120适用于印刷及无印刷瓶盖。压花与印刷图案完全匹配是该设备创新亮点之一。

萨克米铝盖压花设备CCD120提供两种解决方案:

- 萨克米铝盖压花设备在完成压花和瓶盖图案匹配方面天衣无缝
- 萨克米铝盖压花设备可选配CVS3000视觉检测系统用来满足匹配瓶盖印刷面图案进行压花的工艺需求

萨克米铝盖压花设备特点设备配有:

- 旋转式进盖料斗和定位系统
- 单个激活装置马达控制自动旋转机械成型鼓
- 出盖通道
- PC操作界面



TECHNICAL FEATURES

技术参数

Version 版本	Caps Embossing 瓶盖压花
Cap dial - mm 瓶盖尺寸—毫米	28
N. of punches 冲头数	20
Max prod. capacity pcs/min 最大生产效率(个/每分钟)	1200 (timed) 1200个瓶盖
Elec. power average absorbed - kW (50 hz) 平均吸收电功率—千瓦(50赫兹)	10
Compressed air consump. 0.55 MPa - NI/min 压缩空气量 0.55Mpa—NI/分钟	800
Dimension mm 设备面积尺寸 - 毫米	1250x1320x2100
Weight kg 重量 - 千克	2700

Inspection systems

视像检测设备



1. DEFECTS IN THE SIDEWALL (through peripheral lens):

- Contaminations
- Black specks
- Dents
- Broken bands
- Indicative measurement of the diameter

1. 侧壁缺陷 (外围镜头):

- 污染
- 黑斑
- 压痕
- 破损
- 直径尺寸



2. DEFECTS IN THE ARTWORK:

- Presence
- Registration errors
- Off-centre
- Missed colour planes
- Wrong colours
- Colour variations (ΔE)
- Wrong artwork
- Scratches
- Dents
- Voids in the artwork
- Contamination
- Fish-eyes
- Smears
- Smudges

2. 印刷图案缺陷:

- 印刷图案是否存在
- 配准误差
- 对中偏离
- 色块错误
- 颜色错误
- 颜色偏差 (ΔE)
- 图案错误
- 划痕
- 压痕
- 图案孔洞
- 污染
- 鱼眼
- 油剂
- 污迹

3. DEFECTS IN THE SHELL:

- Ovalization
- Deformations
- Voids
- Chipped
- Holes
- Wrinkles
- Indicative measurement of the diameter

3. 外壳缺陷:

- 椭圆化
- 变形
- 孔洞
- 缺口
- 小孔
- 褶皱
- 直径尺寸测量



4. DEFECTS IN THE LINER:

- Presence
- Flashes of material in the profile
- Voids of material in the profile
- Contaminations
- Black specks
- Bubbles

4. 内垫缺陷:

- 内垫是否就位
- 原料闪光
- 孔洞
- 污染
- 黑斑
- 气泡

CVS 3000

INSPECTION SYSTEM

视像检测设备

Every stage of cap manufacturing is controlled by CVS3000 to ensure the highest quality level and process monitoring.

From the lined shell to the terminated caps, every component is carefully inspected with high-resolution cameras and the newer vision technologies.

Thanks to a graphical and user-friendly interface, based on Windows Embedded, and available in several languages, the operator can easily interact with the equipment.

A Self-learning procedure helps to find quickly the correct inspection parameters, without specific skills.

Moreover, CVS3000 can provide to the Quality Control and Maintenance Depts. Statistical information about the monitored production, giving real-time information such as:

- Total inspected caps
- Total defective caps
- Number of ejected caps by defect type

瓶盖生产的每一个环节都由CVS3000检测系统把控以确保高质量全程监督。

从内垫到最终成型的瓶盖,每一个部分都由高精度摄像头严格检测。

易操作多语言的界面使得操作者更好掌控设备。

系统的自我学习功能使其能够快速获得检测参数。

CVS3000可提供质量控制及维护的数据信息,并实时分享:

- 检测瓶盖总数
- 缺陷盖总数
- 剔除瓶盖数量

SACMI CLOSURES, CONTAINERS & PET

- Maximum number of consecutive ejections
- Production speed
- Correlation of defect by tool number
- Line efficiency (OEE – Overall Equipment Effectiveness)
- 最大连续剔除数量
- 速度
- 模号相关缺陷
- 生产线效率(OEE-设备综合效率)

That information is saved in a SQL database and can be easily accessed from remote, or downloaded to any ERP system; data is also available in Excel format.

数据信息存储于SQL, 可远程提取或者下载到ERP系统, 数据支持Excel格式。



TECHNICAL FEATURES**技术参数****CVS3000 IN PMV136 MACHINE****CVS3000适用于加垫设备PMV136**

Calculation unit 计算单元	Industrial PC equipped with i7 processor 配备i7 处理器的电脑
Operating System 操作系统	Windows Embedded 64 bit Windows 嵌入式64位版
Inspection of the liner and shell 内垫及外壳检测	High resolution monochrome camera 高清黑白摄像头
	LED illuminator LED光源
Inspection of the artwork 印刷面图案检测	High resolution colour camera 高清摄像头
	LED illuminator LED光源
Ejection device for liner/shell defects 内垫/外壳缺陷剔除装置	Pneumatic solenoid valve 气动伺服阀
Ejection device for artwork defects 印刷面图案缺陷剔除装置	Pneumatic solenoid valve 气动伺服阀
FRS (Failsafe Rejection System) 故障安全排除系统	Part presence sensor 感应装置
	Pneumatic solenoid valve 气动伺服阀
Tracking device 追踪装置	Encoder 编码器

CVS3000 IN PMV 120 MACHINE**CVS3000用于加垫设备PMV 120**

Calculation unit 计算单元	Industrial PC equipped with i7 processor 配备i7 处理器的电脑
Operating System 操作系统	Windows Embedded 64 bit Windows 嵌入式64位版
Inspection of the liner and shell 内垫及外壳检测	High resolution monochrome camera 高清黑白摄像头
	LED illuminator LED光源
Inspection of the sidewall 侧壁检测	4 high resolution colour camera 4个高精度摄像头
	LED illuminator LED光源
	CVS 360-3D inspection software CVS 360-3D检测软件
Ejection of defects 缺陷品剔除	Pneumatic solenoid valve 气动伺服阀
FRS (Failsafe Rejection System) 故障安全排除系统	Part presence sensor 感应装置
	Pneumatic solenoid valve 气动伺服阀
Tracking device 追踪装置	Encoder 编码器

CHS 200

AN INSPECTION AND
SORTING MACHINE FOR
SHORT ALUMINIUM CAPS

视像检测设备适用于检测
及分拣铝盖

It can be easily integrated after a lining machine or assembly machine as well as off-line to reprocess HFI batches.

CHS200 can install up to 7 cameras to control both functional and public decorated side (bottom and sidewall) at a speed up to 3,000 caps/min.

Thanks to the innovative CVS360-3D module, the CHS200 can precisely reconstruct 3D objects as 2D images, eliminating any distortion stem from perspective, lens, shape of the cap or the reflectiveness of its surface.

CHS200可与加垫设备整合,或者离线安装,对高频感应批次再处理。

CHS200共可安装7个摄像头用以检测印刷面(底部及侧壁),检测速度最高3,000 瓶盖/分钟。

CVS360-3D的应用使得CHS200可以将3D物体重建为2D图像,消除因角度、镜头、瓶盖形状或者表面反光带来的变形。



TECHNICAL FEATURES

技术参数

Lighting equipment 照相设备	White light, LED LED白光
Cameras 镜头	Colour camera for the inspection of public decorated side 彩色镜头用以检测印刷面
	Monochrome/colour camera for the inspection of the functional side 黑白/彩色镜头用以检测其它表面缺陷
CPU 中央处理器	Intel i7 英特尔i7
Operating System 操作系统	Windows 7 Embedded 64 bit edition Windows 7嵌入式64位版
Inspection software 检测软件	CVS3000 2.0 64 bit or higher, CVS360-3D CVS3000 2.0 64位版或者更高配置的CVS360-3D
Maximum speed 最大速度	Up to 3,000 pcs/min 3,000瓶盖/分钟
FRS 故障安全排除系统	Fail safe rejection system 故障安全排除系统
Ready for Industry 4.0 适用于工业4.0	
Options 可选项	Peripheral lens to inspect decorated bottom and sidewall 检测瓶盖底部及侧壁
CVS360-3D module for a precise inspection of the sidewall CVS360-3D用于侧壁精确检测	



" INTEL is a registered trademark of Intel Corporation or other companies controlled by Intel in the United States and/or in other Countries. The trademark is subject to intellectual property's legislation, and SACMI's use is in compliance with the applicable framework. INTEL trademark is in this catalogue only for descriptive and explanatory purposes, in a truthful and non-misleading manner, and without the aim of promoting SACMI's products."

" MICROSOFT is a registered trademark of Microsoft Corporation, registered in the United States and/or in other Countries. The trademark is subject to intellectual property's legislation, and SACMI's use is in compliance with the applicable framework. MICROSOFT trademark is in this catalogue only for descriptive and explanatory purposes, in a truthful and non-misleading manner, and without the aim of promoting SACMI's products."

" WINDOWS is a registered trademark of Microsoft Corporation. The trademark is subject to intellectual property's legislation, and SACMI's use is in compliance with the applicable framework. WINDOWS trademark is in this catalogue only for descriptive and explanatory purposes, in a truthful and non-misleading manner, and without the aim of promoting SACMI's products."

" Intel Core i7 is a registered trademark of Intel Corporation or to other companies controlled by Intel in the United States and/or in other Countries. The trademark is subject to intellectual property's legislation, and SACMI's use is in compliance with the applicable framework. Intel Core i7 trademark is in this catalogue only for descriptive and explanatory purposes, in a truthful and non-misleading manner, and without the aim of promoting SACMI's products."

"英特尔是英特尔公司或英特尔控制的其他公司在美国和/或其他国家的注册商标。该商标受知识产权法管辖，萨克米的使用符合适用框架。英特尔商标在本目录中仅用于描述和解释目的，以真实和不误导的方式，不以推广萨克米的产品为目的。"

"微软是微软公司的注册商标，在美国和/或其他国家注册。该商标受知识产权法管辖，萨克米的使用符合适用框架。本目录中的MICROSOFT商标仅用于描述性和解释性目的，以真实且不误导的方式，且不在推广萨克米的产品。"

"WINDOWS是微软公司的注册商标。该商标受知识产权法管辖，萨克米的使用符合适用框架。WINDOWS商标在本目录中仅用于描述和解释目的，以真实和不误导的方式，且不在推广萨克米的产品。"

"英特尔Core i7是英特尔公司或英特尔在美国和/或其他国家控制的其他公司的注册商标。该商标受知识产权法管辖，萨克米的使用符合适用框架。本目录中的英特尔Core i7商标仅用于描述性和解释性目的，以真实、不误导的方式提供，且不在推广萨克米产品。"